



# AIR INFLATION TOOLS & ACCESSORIES



Inflation Systems



Passenger Gauges



Truck Gauges



AG and OTR Gauges



Air Chucks



Safety Cages



Specialty

## Tire and Wheel Service Solutions

Prema Canada is one of the largest distributors of tire and wheel service supplies and is a market leader in delivering a total supply solution to the tire industry in Canada. Founded in 1954 as Loomis Root Canada Ltd, the company has evolved from a small, regional automotive and retread supply distributor into a focused network of independent tire and wheel service supply Distributors servicing the entire country from coast to coast.

## Wherever You Are Coast to Coast



### ALBERTA 8

- Northern 2
- Edmonton 2
- Central 2
- Calgary 1
- Southern Alberta 1

### ONTARIO 17

- North Western 1
- North Eastern 1
- South Western 3
- Central 8
- Eastern 4

### QUEBEC 6

- Northern 1
- Gatineau 1
- Montreal 1
- Southshore 1
- Quebec City 2

### SASKATCHEWAN 4

- Northern 2
- Southern 2

### BRITISH COLUMBIA 11

- Northern 3
- Vancouver Island 2
- Lower Mainland 2
- Interior 4

### ATLANTIC CANADA 5

- New Brunswick 1
- Nova Scotia and PEI 2
- Newfoundland 2

### MANITOBA 4

- West 1
- East 3

## TABLE OF CONTENTS

	<i>Page</i>
3810 — Inflation Systems .....	38-2
3820 — Passenger Gauges .....	38-3
3830 — Truck Gauges .....	38-4
3840 — AG and OTR Gauges .....	38-8
3850 — Air Chucks .....	38-10
3860 — Safety Cages .....	38-14
3880 — Specialty .....	38-16




**PREMA**  
Tire and Wheel  
Service Solutions



### 3810-10 — Automatic Tire Inflation System

		<i>Code</i>	<i>Description</i>
		<b>89MXA</b>	Haltec Indoor Automatic Inflator — Single Tire • Compact Design • Wall Mountable • 1/4" x 1/4" Male NPT Plug Factory Installed in the Base of the Inflator • Operating Range 5-145 PSI • Accuracy +/- 0.3 PSI
		<b>89XDA</b>	Single Tire Automatic Inflator • Diecast Aluminum Enclosure • IP66 • Self Calibrates Every 6 Minutes • Factory Installed 1/4" x 1/4" M-NPT Plug in the Base of the Inflator • Operating Range 5-145 PSI — Accuracy +/- 0.3 PSI
		<b>89XDB</b>	High Volume Automatic Tire Inflator Designed Specifically for Large OTR Tires • Diecast Aluminum Enclosure • IP66 • 1/2" Inlet / Outlet • Inflates 1 to 4 Tires Simultaneously • Operating Range 5-145 PSI — Accuracy +/- 0.3 PSI
		<b>89XDZ</b>	Over Fill Tire Inflator • Leak Detection Test • Emergency Stop Control • Multiple Purge Cycle Setting • Dual LCD Screens • 1/2" Inlet / Outlet • Operating Range 5-145 PSI — Accuracy +/- 0.3 PSI
		<b>MW-60</b>	Automatic Tire Inflator • Inflates a Tire From 0-145 PSI in 2 PSI Increments • 110V • 1/4" Air Inlet
		<b>MW-60-4WAY</b>	4-Way Automatic Tire Inflator • 145 PSI x 4 Outlets • Measures Air Pressure With 4 Types of Measurements: kPa, BAR, PSI and kg/cm <sup>2</sup> • Pre-Drilled Holes for Wall Mount or Mount to a Tire Cage With the Use of a MW Stand Bracket • 110V With 1/4 Air Inlet • Inflate 4 Tires From 0-145 PSI in 2 PSI Increments • Dimensions 9" x 10-1/2" x 3-1/2" • Includes (4) 8' Hoses
		<b>QUBE4</b>	PCL Accura Qube Tire Inflator With 16' Hose and Euro Chuck. 3 Pre-Selectable Application Modes: 1) Standard Inflate/Deflate, 2) Tire Shop With Overpressure, 3) N2 Fill and Air to N2 Conversion • 145 PSI • Reading Accuracy 1 PSI
		<b>RI-250-20</b>	Remote Mount Regulated Tire Inflator • Ideal for Wall or Post Mounting • Unattended Inflation Set Pressure • Quick Disconnect to Stop Inflation and Deflate the Tire in an Emergency • On/Off Ball Valve to Start and Stop Inflation • 1/4" NPT Inlet

### 3810-15 — Automatic Tire Inflation System Accessories

		<i>Code</i>	<i>Description</i>
	<b>MW-STAND</b>	<b>MW-STAND</b>	Cage Bracket for Inflators • Required When Mounting MW-60, MW-60-4WAY and MW-64HP Auto Tire Inflators to the MIC-3, MIC-4, MIC-5 and MIC-OTR Tire Stands • Dimensions: 10-11/16" x 4" x 8-15/16" • Has a Hanger Hook for the Air Hose



### 3820-10 — Inflating Gauges

Code	Description
EX-54-920-1	General Duty Inflating Gauges With Lightweight Aluminum Bodies and Brass Movements • 4-Sided Bar With 2 Sides Calibrated 10-90 PSI in 2 Lb Units • The Other 2 Sides are in KPA • Comes With Dual Foot Chuck on the End of a 1' Hose
MHA-100	Handheld Automatic Digital Tire Inflator With 6' Air Hose and 1/4" Clip-On Chuck • 0-174 PSI • Features 2 Programmable Pressures, 4 Measurement Units, OPS Function, LCD Screen, Backlight and Sound Signal • Includes: Rechargeable Lithium-Ion Battery



EX-54-920-1

MHA-100

### 3820-20 — Digital Gauges

Code	Description
5900	Digital Passenger Pressure Gauge • 3.5-99.5 PSI • LCD Reading • Automatic Shut-Off • CE Approved
5988	Back-Lit Digital Tire Gauge • 3-100 PSI • Automatic Shut-Off • Replaceable Batteries
40-710	Standard Digital Tire Pressure Gauge • 5-99 PSI • Easy to Read Display • Auto On/Off • Easy Grip • Rugged Construction



5900

5988

40-710

### 3820-30 — Pencil Gauges



7277



5600-E



5600-PREMA



7290-PK



S-921



VH661

Code	Description
7277	Dill Car Tire Air Gauge Pack • Features 10 Individual Tire Gauges in a Point of Purchase Display • These 5600-E Gauges Are 10-75 PSI in 1 Lb Units
5600-E	Mid-Range Pencil Gauge • 10-75 PSI
5600-PREMA	Prema Mid-Range Pencil Gauge • 10-75 PSI • Manufactured in the USA
7290-PK	Dill Breast Cancer Awareness Pencil Gauge • 10-75 PSI
S-921	Standard Passenger Gauge • 4-Sided Nylon Bar, 2 Sides Calibrated 5-50 PSI in 1 Lb Units, Other 2 Sides 40-350 KPA in 10 KPA Units • Manufactured in the USA
VH661	Standard Passenger Gauge • 4-Sided Nylon Bar, 2 Sides Calibrated 10-50 PSI in 1 Lb Units, Other 2 Sides 75-340 KPA
89TRL-6B-IC	Haltec Automatic Tire Inflation System - Nitrogen Compatible With Internal Charger. Can Service Up To 6 Tires Simultaneously. Operating Range 5-145 Psi. Automatically Inflates/ Deflates To Target Psi By Tire Position. Accurate To +/- 0.3 Psi. Can Be Hardwired And Mounted To Mobile Service Trucks.



89TRL-6B-IC

**3830-10 — Inflating Gauges** *cont'd on next page*



**DIAL INFLATING GAUGES**

Code	Description
1991	Dial Type Air Line Service Gauge • Use When High Visibility, Accuracy and Durability are Important Factors • Calibrated 10-170 PSI and 0.7-12 Bar • 2 Lb Increments • Comes Standard With a 5' Hose and a Euro Style Clip-On Chuck
63-692	Milton Window Tire Inflator Gauge • Comes With a Dual Head Straight Foot Chuck With Locking Threads at Both Ends and a 15" Hose • Calibrated 10-120 PSI in 2 Lb Units • Site Glass With Magnifier Lens • Made in the USA
516	Professional Analog Inflator Gauge for Heavy Vehicles With a Clip-On Chuck • 0-170 PSI • 78" Hose
AFG5A092	MK4 Inflation Gauge With 6' Hose • Cast Aluminum Body With an Impact Absorbing Rubber Bumper • Lightweight • Magnified Sight Glass in Linear Scale • Excellent Accuracy • 0-174 PSI • Euro Chuck Connector
AME-24869	AME Dura-Flate Digital Tire Inflator With 20" Hose and Dual Foot Chuck • 0-174 PSI • 1/4" NPT Female Inlet • 80 Hour Battery Life
H310532P	Maxwell Analog Inflation Gauge With a 6' Hose

**DIGITAL INFLATING GAUGES**

Code	Description
AME-24866	AME Accu-Flate Digital Tire Inflator With 20" Hose and Clip On Chuck • 0-174 PSI • 1/4" NPT Female Inlet • 2 AAA Batteries Included • Backlight LCD With 9 Second Auto Off • Ideal for Tire Fitters
AME-24867	AME Accu-Flate Digital Tire Inflator With 6' Hose and Clip On Chuck • 0-174 PSI • 1/4" NPT Female Inlet • 2 AAA Batteries Included • Backlight LCD With 9 Second Auto Off • Ideal for Tire Fitters
AME-24871	AME Dura-Flate Digital Tire Inflator With 6' Hose and Euro Style Clip-On Chuck • 0-174 PSI • 1/4" NPT Female Inlet • 80 Hour Battery Life
H300532P	Maxwell Digital Inflation Gauge With a 6' Hose • Accepts 2 AAA Batteries (Included)
MH-30	Digital Tire Inflator / Gauge • 175 PSI • 6' Hose
63-661	Topping Digital Inflation Gauge • Ideal for Inflation on North American and European Vehicles Equipped With TPMS Pressure Sensors • Large LCD Display • 0-218 PSI • Measures in PSI/Bar/kgF/kPa • 39" Hose With Clip-On Air Chuck • Auto Shut-Off After 90 Seconds • Spare Lithium 3V Battery Included
DAC1A08	PCL Accura 1 Digital Tire Inflation Gauge • Extremely Accurate • 0-174 PSI in 0.2 PSI Increments • Lightweight and Shock Resistant • Includes a 6' Hose and Euro Chuck • 1/4" NPT Air Inlet • Widely Accepted for Checking TPMS Applications
DTI08	PCL Digital Inflation Gauge PSI/Bar • Highly Accurate • Durable and Robust • 1-170 PSI • Can Show Bar or kPa • Backlight and Air Bleeder Button • Low Battery Indicator Light

**STANDARD BORE / LARGE BORE COMBINATION INFLATING GAUGES**

Code	Description
EX-920	Standard Large Bore Dual Inflator Gauge • Equipped With EX-4660A and H-5265 Closed Chucks • Features a Bleeder Valve and a Valve on the Manifold to Allow for Pressure Check • Specify Required Length When Ordering
EX-926HD	Exactra Inflation Gauge

### 3830-10 — Inflating Gauges *cont'd from previous page*

#### SLIDEBAR INFLATING GAUGES



2-242-3



98-A1-501



EX-924

Code	Description
2-242-3	Heavy Duty Inflating Gauges With Lightweight Aluminum Bodies and Brass Movements • 4-Sided Bar With 2 Sides Calibrated 10-120 Psi in 2 Lb Units • The Other 2 Sides Are 150-800 kPa • Comes With a Clip-On Air Chuck and 3' Hose
98-A1-501	Milton Truck Tire Inflator Gauge • Comes With a Dual Foot Locking Chuck and a 15' Foot Hose • 10-160 PSI in 2 Lb Units • Built-In Deflator Button to Relieve Excess Pressure • Site Glass With Magnifier Lens • Made in the USA
EX-924	Exactra Inflator Gauge • Comes With an EX-5567 Chuck and a 5' Hose • 10-120 PSI in 2 Lb Increments
EX-924-1	Exactra Inflator Gauge • Comes With an EX-5567 Chuck and a 1' Hose • 10-120 PSI in 2 Lb Increments
EX-924-6	Exactra Inflator Gauge • Comes With an EX-5567 Chuck and a 6' Hose • 10-120 PSI in 2 Lb Increments
EX-924-10	Exactra Inflator Gauge • Comes With an EX-5567 Chuck and a 10' Hose • 10-120 PSI in 2 Lb Increments
EX-924-12	Exactra Inflator Gauge • Comes With an EX-5567 Chuck and a 12' Hose • 10-120 PSI in 2 Lb Increments
EX-924-15	Exactra Inflator Gauge • Comes With an EX-5567 Chuck and a 15' Hose • 10-120 PSI in 2 Lb Increments

### 3830-12 — Inflating Gauges — Parts & Accessories



170000005



170000007



1991-HS&CK



EX-6566FT



EX-922H-1



RHA233

Code	Description
170000005	Replacement Hose and Clip-On Chuck for H300532P and H310532P • 2' Length
170000007	H300532P / H310532P — Hose and Chuck • 6' Replacement Hose With Clip-On Chuck on One End and Appropriate Fitting to Go Into the Inflation Gauge on the Other End
1991-HS&CK	Replacement Hose and Chuck for Code Number 1991 Michelin Eurodairu Gauge • Also Includes the Special Euro Fitting to Go into the Gauge Body
EX-6566FT	Dual Foot Angle Chuck • Open End for Use on Air Line Gauges • For Inner Dual Wheel Hard-To-Reach Valves on Tractor, Dual Wheel Truck and Bus Tires • Pushes or Pulls on Tire Valve • Length 6" • 1/4" Female NPT
EX-922H-1	1' Replacement Whip Hose • 1/4" Male Ends
RHA233	Replacement Hose For PCL DAC1A08 Includes Connectors

### 3830-20 — Digital Truck Gauges

Code	Description
40-720	Mechanic Digital Tire Pressure Gauge • 5-150 PSI • Easy to Read Display • Easy Grip • Rugged Construction • Lithium Battery Operated
AME-24145	Unicheck Digital Truck Gauge • Digitally Reads Tire Pressure for Accuracy • Durable and Dependable. 0-180 PSI • PSI and kPa Option



40-720



AME-24145

### 3830-30 — Pencil Gauges





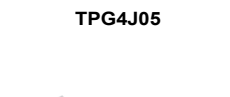


Code	Description
VH662	Truck Pencil Gauge • 4-Sided Nylon Bar, 2 Sides Calibrated 20-120 Lbs in 2 Lb Units and Other 2 Sides kPa 150-810



















### 3830-32 — Dual Foot Gauges — Short

<i>Code</i>	<i>Description</i>		
 <p>7278</p>	 <p>S-927</p>	7278	Dill Straight and 30° Reverse Angle Truck Pencil Gauge • High Pressure, High Quality Unit • 20-120 PSI in 2 Lb Units • Nylon Indicator Bar
 <p>TPG4J05</p>	 <p>VH664</p>	S-927	Dual Foot Truck Gauge • 4-Sided Nylon Bar, 2 Sides Calibrated 20-120 Lbs in 2 Lb Units and Other 2 Sides kPa 120-820 in 10 kPa Units • Made in the USA
 <p>TPG4J05</p>	 <p>VH664</p>	TPG4J05	Dual Foot Short Truck Gauge on a Blister Card • These English Made Units Are Manufactured in Brass for Smooth Extrusion and Finished in a Heavy Duty Chrome Plating • They Have a Heavy Duty Metal Bar That is Calibrated 10-120 Lbs in 2 Lb Units
 <p>VHP664</p>		VH664	Dual Foot Truck Gauge • 4-Sided Nylon Bar, 2 Sides Calibrated 20-120 Lbs in 2 Lb Units and the Other 2 Sides kPa 150-810
		VHP664	Premium Dual Foot Pocket Gauge • Tapered Head Design to Allow a Precise Fit When Checking Air Pressure • 4-Sided Nylon Bar, 2 Sides Calibrated 20-120 Lbs in 2 Lb Units and the Other 2 Sides Calibrated 150-810 kPa • Black and Silver Premium Finish

### 3830-34 — Dual Foot Gauges — Long

<i>Code</i>	<i>Description</i>		
 <p>7275</p>	 <p>7275</p>	7275	Dill Dual Foot Long Truck Service Gauge • Great for Servicing Tilted Inner Dual Valves • 2-Sided Metal Indicator Bar • Calibrated 10-150 Lbs in 2 Lb Units
 <p>7275R</p>	 <p>7285</p>	7275R	Dual Straight Foot Service Gauge • Straight Chuck Used for Inner Duals • 30° Reverse Angle Chuck for Outside Dual • 2-Sided Metal Indicator Bar • Calibrated 10-150 Lbs in 2 Lb Units
 <p>7285</p>	 <p>7275R</p>	7285	Dill Dual Foot Long Truck Service Gauge. Great for Servicing Tilted Inner Dual Valves • 2-Sided Metal Indicator Bar • Calibrated 10-150 Lbs in 2 Lb Units • Recalibration Feature
 <p>S-976</p>	 <p>S-976</p>	S-976	Dual Foot Service Gauge • 4-Sided Nylon Bar, 2 Sides Calibrated 10-160 Lbs in 2 Lb Units and Other 2 Sides kPa 80-1100 in 20 kPa Units • Made in the USA
 <p>VH665</p>	 <p>VH665</p>	VH665	Dual Foot Service Gauge • 2-Sided Nylon Bar, One Side Calibrated 10-150 Lbs in 2 Lb Units • Numbers at 10 Lb Intervals and Other Side kPa 80-1040
 <p>VHP665</p>	 <p>VHP665</p>	VHP665	Premium Dual Foot Pocket Gauge • Tapered Head Design to Allow a Precise Fit When Checking Air Pressure • 4-Sided Nylon Bar, 2 Sides Calibrated 10-150 Lbs in 2 Lb Units • Numbers at 10 Lb Interval With 5 Lb Marker Between and Other 2 Sides 80-1040 kPa



### 3830-36 — Dual Foot Gauges — 30° Reverse — Short

Code	Description
476-32921	Sight Glass Truck Gauge With Straight On Chuck
7263	Straight Push-On 30° Reverse Angle Short Truck Gauge • Black Poly Finish • 20-120 PSI • Made in the USA
S-929	Straight Push-On 30° Reverse Angle Short Truck Gauge • 4-Sided Nylon Bar • 2 Sides Calibrated 20-120 Lbs in 2 Lb Units and the Other Sides 120-820 kPa in 20 kPa Increments • Made in the USA
VH669	Straight Push-On 30° Reverse Angle Truck Gauge • 4-Sided Nylon Bar • 2 Sides Calibrated 20-120 Lbs in 2 Lb Units and the Other Sides 150-810 kPa
VHP669	Premium Short Tire Service Gauge • Straight Push-On and 30° Reverse Angle End • Tapered Head Design to Allow a Precise Fit • 4-Sided Nylon Bar • 2 Sides Calibrated 20-120 Lbs in 2 Lb Units and the Other Sides 150-810 kPa • Black Finish



### 3830-38 — Dual Foot Gauges — 30° Reverse — Long

Code	Description
7125-H	Dual Straight Foot Service Gauge • Straight Chuck Used for Inner Duals • 30° Reverse Angle Chuck for Outside Dual • 4-Sided Delrin Indicator Bar • 10-150 Lbs in 2 Lb Units on All 4 Sides
7262	Straight Push-On 30° Reverse Angle Long Truck Gauge • Black Poly Finish • 10-150 PSI
7285E	Recalibration Tire Service Gauge • This Unit Has an External Calibration Feature That Allows the Use of a Slot Screwdriver to Recalibrate • Metal Bar • 10-150 PSI in 2 PSI Increments
7285R	Dual Straight Foot Service Gauge • Straight Chuck Used for Inner Duals • 30° Reverse Angle Chuck for Outside Dual • 2-Sided Metal Indicator Bar • 10-150 Lbs in 2 Lb Units • Recalibratable
S-986	Straight Push-On 30° Reverse Angle Service Gauge for Standard Bore Valves • 4-Sided Nylon Bar — 2 Sides Calibrated 10-160 Lbs in 2 Lb Units, Other 2 Sides are 80-1100 kPa in 20 kPa Units • Made in the USA
SG-1	Straight Push-On 30° Reverse Angle Truck Gauge • Chrome Finish • 10-150 PSI Plastic Bar • 2 PSI Increments • Made in the USA
SG-2	Straight Push-On 30° Reverse Angle Truck Gauge • Chrome Finish • 10-150 PSI Metal Bar • 2 PSI Increments • External Calibrating Screw • Made in the USA
SG-3	Straight Push-On 30° Reverse Angle Truck Gauge • Black Finish • 10-150 PSI Metal Bar • 2 PSI Increments • External Calibrating Screw • Made in the USA
VH668	Straight Push-On 30° Reverse Angle Service Gauge for Standard Bore Valves • 2-Sided Nylon Bar — One Side Calibrated 20-150 Lbs in 2 Lb Units, Other Side 80-1040 kPa
VH668-R180	This Gauge Has a Special 180° Reverse Chuck to Accommodate the Small Hand Holes Found on Many of Today's Truck Wheels • 10-150 PSI in 2 Lb Increments
VHP668	Premium Long Tire Service Gauge • Straight Push-On and 30° Reverse Angle End • Tapered Head Design to Allow a Precise Fit • 2 Sides Calibrated 10-150 Lbs in 2 Lb Units, Other Side kPa 80-1040 • Black Finish
VHP668M	Premium Heavy Duty Metal Bar Long Tire Service Gauge • Straight Push-On and 30° Reverse Angle End • Tapered Head Design to Allow a Precise Fit • 2-Sided Metal Bar — 1 Side Calibrated 10-150 Lbs in 2 Lb Units, Other Side 80-1040 kPa • Black Finish



### 3830-80 — Master Gauges



Code	Description
8860-C	Used For Checking the Accuracy of Service and Pencil Gauges • Features Retaining Valve to Hold the Pressure Reading After the Gauge is Removed • Calibrated 0-160 PSI • Accurate Within 2% of Total Dial Range

### 3830-85 — Gauge Checking Stations



Code	Description
8500	Dill Gauge Check Station • Allows Checking of Air Gauge Accuracy • Great for Truck Fleets • Made in the USA • Consists of 0-160 Liquid Filled Gauge • Certificate of Accuracy Included • Mounts to a Bench or Wall • 1/4" NPT Air Inlet • Includes Filter / Regulator
8900	Analog Gauge for Dill 8500 Check Station • Comes With Calibration Certificate
GCS-A	Haltec Gauge Checking Station • Comes With Large 4" Liquid Filled Gauge With 2 Lb Graduated Increments • Maximum Operating Pressure 160 PSI • Accuracy +/- 1%

### 3840 — AG & OTR Gauges

#### 3840-10 — Inflating Gauges



Code	Description
AME-24855	OTR Tire Inflation / Deflation Kit • Ideal for Large Agricultural and Construction OTR Tire Service
EX-923	Single Inflator Gauge for Large Bore Applications • Equipped With an Open Chuck • Gauge is Calibrated 10-150 PSI in 2 PSI Increments • 5' Hose
EX-923-10	Single Inflator Gauge for Large Bore Applications • Equipped With an Open Chuck • Gauge is Calibrated 10-150 PSI in 2 PSI Increments • 10' Hose
EX-923-25	Single Inflator Gauge for Large Bore Applications • Equipped With an Open Chuck • Gauge is Calibrated 10-150 PSI in 2 PSI Increments • 25' Hose
EX-997-KIT	Heavy Duty Safety Inflating / Deflating Kit System • Combines Maximum Operator Safety While Providing Top Efficiency When Inflating and Deflating Both Large Bore and Standard Bore Tires • Innovative Muffler to Limit the Deafening Noise When Deflating OTR Tires



### 3840-30 — Pencil Gauges

Code	Description
S-917	Low-Low Pressure Gauge • 4-Sided Nylon Bar — 2 Sides Calibrated 1-20 Lbs in 1 Lb Units, Other 2 Sides kPa 20-140 in 10 kPa Units • Made in the USA
VH663	Low-Low Pressure Gauge • 4-Sided Nylon Bar — 2 Sides Calibrated 1-20 Lbs in 1/2 Lb Units, Other 2 Sides kPa 10-135
VHJ611	Large Bore Straight On Pencil Gauge Fits Large and Standard Bore Valves • 4-Sided Nylon Bar — 2 Sides Calibrated 20-120 Lbs in 2 Lb Units, Other 2 Sides 150-800 kPa



S-917



VH663



VHJ611

### 3840-40 — Dial Face Gauges

Code	Description
EX-1700PH	Large Bore Low Pressure Gauge • 0-15 PSI in .2 Increments • 2-1/2" Dial Type Gauge With Protective Rubber Cover • Equipped With 18" Rubber Hose and an Open Plastic Handle Push-On Chuck for Large Bore Valves • Great for AG and OTR Tires
EX-1701	Standard Bore Low Pressure Gauge • 0-15 PSI in .2 Increments • 2-1/2" Dial Type Gauge With Protective Rubber Cover • Equipped With 18" Rubber Hose and an Open Dual Foot Angle Chuck for Standard Bore Valves • Great for ATV, Lawn Mowers, Golf Carts, etc.
EX-1800PH	Large Bore Precision Pressure Gauge • 0-160 PSI • Recalibratable by Set Screw in the Dial Face • Features Pressure Retaining / Release Valve • Equipped With 16" Hose and Plastic Handle Push-On Chuck • Rubber Protective Cover • Comes in a Sturdy Plastic Case
EX-980FT	Large Bore Precision Inflation Gauge • 0-170 PSI • Features Bleeder Valve for Reducing Pressure, Rubber Protective Bumper and Sturdy Casing • Provides Accuracy, Quality and Longevity • Recalibratable at Exactra Factory • 6' and 1/4" Hose With Euro Open Chuck
EX-980FT-GO	EX-980FT Inflation Gauge Only • Without Hose or Chuck
EX-980FT-HD16	Large Bore Precision Inflation Gauge • 0-170 PSI • Features Bleeder Valve for Reducing Pressure, Rubber Protective Bumper and Sturdy Casing • Provides Accuracy, Quality and Longevity • Recalibratable at Exactra Factory • 16' and 3/8" Hose With Euro Open Chuck.



EX-1700PH



EX-1701



EX-1800PH



EX-980FT



EX-980FT-GO

### 3840-50 — Swivel Gauges

Code	Description
EX-1255	Large Bore Swivel Pressure Gauge • Nylon Indicator Bar • 20-120 PSI
EX-1255MC	Large Bore Swivel Pressure Gauge • Metal Indicator Bar • 10 - 150 PSI • Recalibratable
VHJ6110	Large Bore Swivel Gauge • Head Adjusts to Fit Valves With Shields, Right Angle or Straight On • 2-Sided Nylon Bar — One Side 10-150 Lbs in 2 Lb Units, Other Side 80-1040 kPa



EX-1255



EX-1255MC



VHJ6110



### 3840-70 — Air Liquid Gauges



Code	Description
7230	Air Liquid Tractor Gauge for Air and Liquid Filled Tires • 4-Sided Nylon Bar • Calibrated 5-45 Lbs in 1 Lb Units • Made in the USA
EX-1220	Dial Face Air / Liquid Service Gauge • Can Be Used on Both Standard and Large Bore Valves • 0-200 PSI • 16" Hose • Comes With a Plastic Carrying Case • Recalibratable
S-928	Air Liquid Tractor Gauge for Air and Liquid Filled Tires • 4-Sided Nylon Bar — 2 Sides Calibrated 5-50 Lbs in 2 Lb Units, Other Sides 40-350 kPa in 10 kPa Units • Made in the USA
VH660	Air Liquid Tractor Gauge for Air and Liquid Filled Tires • 4-Sided Nylon Bar — 2 Sides Calibrated 5-50 Lbs in 1 Lb Units, Other Sides 35-310 kPa

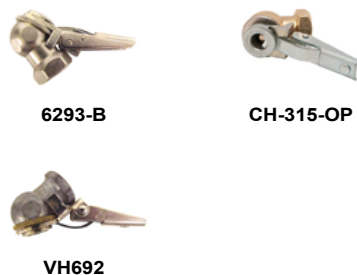
### 3850 — Air Chucks

#### 3850-10 — Ball Foot Chucks



#### BALL FOOT CHUCKS — CLOSED

Code	Description
6293-DILL	Ball Foot Chuck and Clip • 1/4" Female NPT • Firmly Locks Onto Valve While Inflating the Tire • Closed
A-690	Ball Foot Chuck • 1/4" Female • Closed
A-691	Ball Foot Chuck and Clip • 1/4" Female NPT • Firmly Locks Onto Valve While Inflating the Tire • Closed
CH-315	Ball Foot Air Chuck With Clip • 3/4" Hex With 1/4" NPT Female Thread • Heavy-Duty Spring • Firmly Holds Chuck Onto Valve While Inflating Tire • Closed
VH690	Ball Foot Chuck • 1/4" Female • Closed
VH691	Ball Foot Chuck and Clip • 1/4" Female NPT • Firmly Locks Onto Valve While Inflating the Tire • Closed



#### BALL FOOT CHUCKS — FLOW THROUGH

Code	Description
6293-B	Ball Foot Chuck and Clip • 1/4" Female NPT • Firmly Locks Onto Valve While Inflating the Tire • Open
CH-315-OP	Ball Foot Air Chuck With Clip • 3/4" Hex With 1/4" NPT Female Thread • Heavy-Duty Spring • Firmly Holds Chuck Onto Valve While Inflating Tire • Open
VH692	Ball Foot Chuck and Clip • 1/4" Female NPT • Firmly Locks Onto Valve While Inflating the Tire • Open

### 3850-20 — Euro Chucks

#### EURO CHUCKS — CLOSED

Code	Description
6293-D	Euro Style Chuck and Clip • 1/4" NPT Female End • Closed
A-686	Euro Style Chuck and Clip • 1/4" Female NPT • Firmly Locks Onto Valve While Inflating the Tire • Closed
CH-360	Euro Style Chuck and Clip • 1/4" Female NPT • Firmly Locks Onto Valve While Inflating the Tire • Closed
CH-360S	Euro Chuck Featuring a Spring Loaded Deflector Pin to Ensure a Tight Fit on Multi Tire Inflation Applications As Well As Nitrogen Filling • Closed



#### EURO CHUCKS — FLOW THROUGH

Code	Description
6293-C	Euro Style Chuck and Clip • 1/4" Hose Barb • Firmly Locks Onto Valve While Inflating the Tire • Open
6293-E	Euro Style Chuck and Clip • 1/4" NPT Female End • Open
A-687	Euro Style Chuck and Clip • 1/4" Female NPT • Firmly Locks Onto Valve While Inflating the Tire • Open
A-688	Euro Style Chuck and Clip • 1/4" Hose Barb • Firmly Locks Onto Valve While Inflating the Tire • Open
CH-360-OP	Euro Style Chuck and Clip • 1/4" Female NPT • Firmly Locks Onto Valve While Inflating the Tire • Open
CO8H72	Euro Style Chuck and Clip • 1/4" Hose Barb • Firmly Locks Onto Valve While Inflating the Tire • Open
EC410419	Barbed Style European Air Chuck • Serrated Shank for 1/4" I.d. Hose • Open
EX-1587	Euro Style Chuck and Clip • 1/4" Hose Barb • Firmly Locks Onto Valve While Inflating the Tire • Open
N-1199	Euro Style Chuck and Clip • 3/16" Hose Barb • Firmly Locks Onto Valve While Inflating the Tire • Open



#### EURO CHUCKS — RETRACTABLE

Code	Description
IN-20	Core Removal and Tire Inflation Chuck Reduces Inflation Time by 50% • Features Clip-On Style Chuck • Made of Durable Steel, Brass, and Polycarbonate • 1/4" Female NPT • Ideal for Nitrogen Purging and Inflation • Retractable Core Housing Allows Safe Removal and Replacement of Valve Core



### 3850-30 — Check Chucks *cont'd on next page*

#### CHECK CHUCKS — CLOSED

Code	Description
A-695	Check Lock-On Air Chuck • Securely Locks Onto Valve When Pushed Forward — Released When Sleeve is Pulled Back • 1/4" Female NPT • Closed
EX-H5265	Specially Designed Air Chuck • Locks Onto Cap Threads of Standard Bore Valves When Sliding Sleeve is Pushed in the Forward Direction — Releases When Sleeve is Pulled Back • Closed
H-5265	Specially Designed Air Chuck • Locks Onto Cap Threads of Standard Bore Valves When Sliding Sleeve is Pushed in the Forward Direction — Releases When Sleeve is Pulled Back • Closed
VH695	Check Lock-On Air Chuck • Securely Locks Onto Valve When Pushed Forward — Released When Sleeve is Pulled Back • 1/4" Female NPT • Closed





### 3850-30 — Check Chucks *cont'd from previous page*



Code	Description
EX-H5265FT	Flow Through Air Chuck • Locks Onto Cap Threads of Standard Bore Valves When Sliding Sleeve is Pushed in the Forward Direction — Releases When Sleeve is Pulled Back • Open

### 3850-40 — Single Foot Chucks

Code	Description
CH-300	Lock-On Air Chuck With a Small Head Design for Easy Access to Hard-To-Reach Valves on Inside Dual Wheels • Extended Head Design Improves the Lock-On Feature • 1/4" NPT Female Threads • 6" Long
ES-300	12" Extended Easy Lock Air Chuck • 180° Reverse Angle • Closed
ES-305	12" Extended Easy Lock Air Chuck • Straight • Closed
ES-306	12" Extended Easy Lock Air Chuck • Straight • Open
ES-307	8" Easy Lock Air Chuck • 15° Reverse Angle • Closed

*Easy On / Off Application • Custom Coupler Lock With Slide Release • Automatic Locking-Design Chuck • Hardened Steel Pins For Increased Service Life • Improves Seal on DS-1 Flow-Through Caps • Extended Reach for Dual Wheels • Made in the USA*

### 3850-45 — Dual Foot Chucks *cont'd on next page*

Code	Description
693	1/4" Straight Foot Dual Head Air Chuck • For Inner Dual Wheel Hard-To-Reach Valves on Tractor, Dual Wheel Truck and Bus Tires • Pushes or Pulls on Tire Valve • 1/4" Female NPT • Closed
6174	Extra Long Dual Foot Straight On and 30° Reverse Angle Lock On Air Chuck • For Inner Dual Wheel Hard-To-Reach Valves on Tractor, Dual Wheel Truck and Bus Tires • Made in the USA • 14" Length • Closed
6174-BLK	6174 — Nickel Plated Finish 6174-BLK — Black Finish
6175	Dual Foot Straight On and 30° Reverse Angle Lock On Air Chuck • For Inner Dual Wheel Hard-To-Reach Valves on Tractor, Dual Wheel Truck and Bus Tires • Black Poly Finish • Made in the USA • 6" Length • Closed
6999L	Dual Foot Straight On and 30° Reverse Angle Lock On Air Chuck • For Inner Dual Wheel Hard-To-Reach Valves on Tractor, Dual Wheel Truck and Bus Tires • Nickel Plated Finish • Made in the USA • 6" Length • Closed
A-696	Dual Foot Angle Air Chuck • For Inner Dual Wheel Hard-To-Reach Valves on Tractor, Dual Wheel Truck and Bus Tires • Also Fits Passenger Tires • Pushes or Pulls on Tire Valve • Length 6" • 1/4" Female NPT • Closed
CH-370-LO	Special Air Chuck • Straight-On Connection and 180° Reverse Angle Allows Easy Access to Valves Located in Tight, Hard to Reach Places • 6" Long
A-698	Dual Foot Straight On and 30° Reverse Angle Lock On Air Chuck • For Inner Dual Wheel Hard-To-Reach Valves on Tractor, Dual Wheel Truck and Bus Tires • Pushes or Pulls on Tire Valve • Length 6" • 1/4" Female NPT • Closed
EX-6569	30° Dual Foot Chuck • No Inner Locking Threads • Non-Locking Chuck Style • Closed
VH696	Angled Dual Foot Air Chuck • For Inner Dual Wheel Hard-To-Reach Valves on Tractor, Dual Wheel Truck and Bus Tires; Also Fits Passenger Tires • Pushes or Pulls on Tire Valve • Length 6" • 1/4" Female NPT • Closed End for Use on Air Lines

### 3850-45 — Dual Foot Chucks *cont'd from previous page*

Code	Description
VH698	Straight On and 30° Reverse Angle Dual Foot Lock-On Air Chuck • For Inner Dual Wheel Hard-To-Reach Valves on Tractor, Dual Wheel Truck and Bus Tires • Pushes or Pulls on Tire Valve • Length 6" • 1/4" Female NPT • Closed End For Use On Air Lines
VHP698	Straight On and 30° Reverse Angle Dual Foot Lock-On Air Chuck • For Inner Dual Wheel Hard-To-Reach Valves on Tractor, Dual Wheel Truck and Bus Tires • Pushes or Pulls on Tire Valve • Length 6" • 1/4" Female NPT • Closed End for Use on Air Lines • Black Finish
VH698L	Straight With a 30° Reverse End Dual Foot Chuck • 14" Long • For Inflating Inner Duals • Locking Threads
VHP698L	Straight On and 30° Reverse Angle Dual Foot Lock-On Air Chuck • For Inner Dual Wheel Hard-To-Reach Valves on Tractor, Dual Wheel Truck and Bus Tires • Pushes or Pulls on Tire Valve • Length 14" • 1/4" Female NPT • Closed End for Use on Air Lines • Black Finish



### DUAL FOOT CHUCK KITS and PARTS

Code	Description
10140	Replacement Washer • Designed for Haltec CH-360 Series • Will Also Fit VH696 and VH698 Chucks
EX-666K	Repair Kit for Exactra EX-666 Long Large Bore Lock-On Chuck and Exactra EX-366 Short Lock-On Chuck
VH696RK	Dual Foot Chuck Repair Kit for VH696 • Contains 2 Rubber Washers, 2 Deflator Pins and 2 Nuts
VH698RK	Dual Foot Chuck Repair Kit for VH698 • Contains 2 Rubber Washers, 2 Deflator Pins and 2 Nuts
VHP698RK	Taper Lock-On Chuck Repair Kit for VHP698 • Contains 2 Rubber Washers, 1 Tapered Locking Nut, 1 Standard Locking Nut and 2 Deflator Pins



### 3850-50 — Right Angle Chucks

Code	Description
VHJ6100	Right Angle Air Chuck for Large Bore and Standard Bore Valves • 1/4" Female NPT



### 3850-60 — Large Bore Chucks

Code	Description
322	Large Bore Dual Foot Chuck
377	Large Bore Long Lock-On Air Chuck • Chuck Locks Onto Valve Threads • 1/4" Female NPT
EX-4660-A	Large Bore Clip-On Air Chuck • Securely Locks Onto the Valve When the Clip is Pushed Forward • 1/4" Female NPT • Closed
EX-4660-AFT	Large Bore Clip-On Air Chuck • Securely Locks Onto the Valve When the Clip is Pushed Forward • Open or Flow Through Version to be Used on Inflation Gauges • 1/4" Female NPT
EX-565	Special Large Bore Bead Seating Chuck • Attaches to Any Air Line With a 1/2" NPT Thread
EX-666	Large Bore Long Lock-On Air Chuck • Chuck Locks Onto Valve Threads • 1/4" Female NPT



### 3850-80 — Tube Deflators



2-303



ASP-10



VH3216

Code	Description
2-303	Single Piece Standard Bore Screw-On Tube Deflator for Rapid Evacuation of Air From Tube • Screwing Deflator Onto Valve Mouth and Applying Air Chuck to the Threaded Inlet Causes a Vacuum That Siphons Air From Tube
ASP-10	Single Piece Large Bore Screw-On Tube Deflator for Rapid Evacuation of Air From Tube • Screwing Deflator Onto Valve Mouth and Applying Air Chuck to the Threaded Inlet Causes a Vacuum That Siphons Air From Tube
VH3216	Clip-On Heavy-Duty Standard Bore Tube Deflator for Rapid Evacuation of Air From Tube • Screwing Deflator Onto Valve Mouth and Applying Air Chuck to the Threaded Inlet Causes a Vacuum That Siphons Air From Tube

### 3860 — Safety Cages

#### 3860-25 - Portable 2 Bar Safety Cages



MIC-2



MIC-2WB



T101



T101A

Code	Description
MIC-2	Portable 2 Bar Safety Inflation Cage • Compact and Lightweight • Meets or Exceeds OSHA Standard 29 CFR 1910.177 • Inside Dimensions: 21-1/2" x 16-3/4" x 51" • Maximum Tire Size: 48" OD x 13" W
MIC-2WB	2 Bar, Wide Base, Portable, Super Single Tire Inflation Cage • Inside Dimensions: 49-1/16" H x 22" W • Tubing is 44W Steel • Powder Coated Orange • Collapsible
T101	Portable 2 Bar Safety Inflation Cage • Will Hold Super Singles and Super Wide Radial Tires • Maximum Tire Size: 455 / 55R 22.5 Wide Super Single • Ideal for Any Shop Working With Tubeless and Multi-Piece Rims • Made From Heavy-Gauge Steel Tubing Welded to a Steel Base • Guards Against Blown Lock Rings and Rims • Inside Dimensions: 41" H x 16" W • Base 7" Closed x 21-1/2"
T101A	Portable 2 Bar Wide Base Safety Inflation Cage • Inside Dimensions: 43-1/2" H x 20-1/2" W • Base 7" Closed x 27" • Will Hold Super Singles and Super Wide Radial Tires

### 3860-30 — 3 Bar Safety Cages

Code	Description
MIC-3	Truck 3 Bar Safety Inflation Cage • Maximum Tire Size: 47" OD x 19" W • Meets or Exceeds OSHA Standard 29 CFR 1910.177 • Dimensions: 22-1/4" L x 26-1/4" W x 57-5/16" H
MIC3-PCR	Passenger and Light Truck 3 Bar Safety Inflation Cage • Equipped With Foam to Prevent Scratches and Damages on Your Wheel • Dimensions: 21" L x 28" W x 40" H • Maximum Tire Size: 35" OD x 12.5" W



MIC-3



MIC3-PCR

### 3860-40 — 4 Bar Safety Cages

Code	Description
2040NMM	Passenger / Truck 4 Bar Safety Cage • Includes No-Mar Strips on the Interior to Protect Expensive Rims From Scrapes • Typically Used for Run Flats, Passenger, and Light Truck Tires • Dimensions: 28" x 28" x 46.5" • Weight 160 Lbs
MIC-4	Truck 4 Bar Safety Inflation Cage • Maximum Tire Size: 47" OD x 19" W • Meets or Exceeds OSHA Standard 29 CFR 1910.177 • Dimensions: 31-5/8" L x 26-1/4" W x 57-5/16" H



2040NMM



MIC-4

### 3860-50 — 5 Bar Safety Cages

Code	Description
MIC-5	Truck 5 Bar Safety Inflation Cage • Dimensions: 41" L x 26-1/4" W x 57-5/16" H • Maximum Tire Size: 47" OD x 19" W • Meets or Exceeds OSHA Standard 29 CFR 1910.177



### 3860-52 — 5 Bar Safety Cages — OTR

Code	Description
MIC-OTR	OTR 5 Bar Safety Inflation Cage • Used to Inflate Tires for Trucks, Military Vehicles, Tractors and Aircrafts • 2" Steel Tubing Welded to a 3/16" Steel Base With Added Reinforcements • Meets or Exceeds OSHA Standard 29 CFR 1910.177 • CE Certified • Dimensions: 41" L x 39-3/8" W x 66" H • Maximum Tire Size: 62" OD x 33" W



### 3860-80 — 7 Bar Safety Cages

Code	Description
T108	7 Bar Truck and Off-Road Tire Inflation Cage • Designed to Meet OSHA Regulations for Medium, Heavy Duty Truck, OTR, Tractor and Super Singles • Inner Dimensions 46" Inside Height to Upper Bend x 29" Inside Width • Actual Base Plate Dimensions 34" x 56" • Overall Height 63"





## 3860-95 — Safety Cage Accessories

<i>Code</i>	<i>Description</i>
<b>MIC-ROLLER</b>	Tire Rotator Roller Kit for Martins Industries' Inflation Cages • Used to Rotate the Tire Effortlessly and Allow Easy Access to the Valve • Load Capacity: 450 Lbs • Dimensions: 15" L x 15" W x 2" H



## 3880-10 — High Pressure Connectors



8921



H-556



H-6116B

<i>Code</i>	<i>Description</i>
<b>8921</b>	Lock Chuck • Standard Bore • T-Handle With .307-32 Thread and 1/8" NPT Side Hose Connector • Maximum Operating Pressure 3000 PSI
<b>H-556</b>	High Pressure Inflating Connection • Fits .305-32 Thread Size With 1/8" NPT Male Connection • Has Core Depressor Pin and Copper Sealing Washer • Maximum Working Pressure 3000 PSI
<b>H-6116B</b>	High Pressure Inflating Connection • Fits .305-32 Thread Size With 1/8" NPT Female Connection With 70° Bend • Equipped With Hard Fiber Sealing Washer • Maximum Working Pressure 5000 PSI

## 3880-50 — Aircraft Gauges



<i>Code</i>	<i>Description</i>
<b>8844</b>	Bourdon Type Dial Face Gauge • Standard With an 18" Flex Hose and 6" Dual Foot Chuck • 0-400 PSI • Packed in a Protective Metal Box • For Aircraft Use



Part # — Page

2-242-3 — 38-5  
 2-303 — 38-14  
 40-710 — 38-3  
 40-720 — 38-5  
 63-661 — 38-4  
 63-692 — 38-4  
 89MXA — 38-2  
 89TRL-6B-IC — 38-3  
 89XDA — 38-2  
 89XDB — 38-2  
 89XDZ — 38-2  
 98-A1-501 — 38-5  
 322 — 38-13  
 377 — 38-13  
 476-32921 — 38-7  
 516 — 38-4  
 693 — 38-12  
 1991 — 38-4  
 1991-HS&CK — 38-5  
 2040NMM — 38-15  
 5600-E — 38-3  
 5600-PREMA — 38-3  
 5900 — 38-3  
 5988 — 38-3  
 6174 — 38-12  
 6174-BLK — 38-12  
 6175 — 38-12  
 6293-B — 38-10  
 6293-C — 38-11  
 6293-D — 38-11  
 6293-DILL — 38-10  
 6293-E — 38-11  
 6999L — 38-12  
 7125-H — 38-7  
 7230 — 38-10  
 7262 — 38-7  
 7263 — 38-7  
 7275 — 38-6  
 7275R — 38-6  
 7277 — 38-3  
 7278 — 38-6  
 7285 — 38-6  
 7285E — 38-7  
 7285R — 38-7  
 7290-PK — 38-3  
 8500 — 38-8  
 8844 — 38-16  
 8860-C — 38-8

Part # — Page

8900 — 38-8  
 8921 — 38-16  
 10140 — 38-13  
 170000005 — 38-5  
 170000007 — 38-5  
 A-686 — 38-11  
 A-687 — 38-11  
 A-688 — 38-11  
 A-690 — 38-10  
 A-691 — 38-10  
 A-695 — 38-11  
 A-696 — 38-12  
 A-698 — 38-12  
 AFG5A092 — 38-4  
 AME-24145 — 38-5  
 AME-24855 — 38-8  
 AME-24866 — 38-4  
 AME-24867 — 38-4  
 AME-24869 — 38-4  
 AME-24871 — 38-4  
 ASP-10 — 38-14  
 CH-300 — 38-12  
 CH-315 — 38-10  
 CH-315-OP — 38-10  
 CH-360 — 38-11  
 CH-360-OP — 38-11  
 CH-360S — 38-11  
 CH-370-LO — 38-12  
 CO8H72 — 38-11  
 DAC1A08 — 38-4  
 DTI08 — 38-4  
 EC410419 — 38-11  
 ES-300 — 38-12  
 ES-305 — 38-12  
 ES-306 — 38-12  
 ES-307 — 38-12  
 EX-54-920-1 — 38-3  
 EX-565 — 38-13  
 EX-666 — 38-13  
 EX-666K — 38-13  
 EX-920 — 38-4  
 EX-922H-1 — 38-5  
 EX-923 — 38-8  
 EX-923-10 — 38-8  
 EX-923-25 — 38-8  
 EX-924 — 38-5  
 EX-924-1 — 38-5  
 EX-924-6 — 38-5

Part # — Page

EX-924-10 — 38-5  
 EX-924-12 — 38-5  
 EX-924-15 — 38-5  
 EX-926HD — 38-4  
 EX-980FT — 38-9  
 EX-980FT-GO — 38-9  
 EX-980FT-HD16 — 38-9  
 EX-997-KIT — 38-8  
 EX-1220 — 38-10  
 EX-1255 — 38-9  
 EX-1255MC — 38-9  
 EX-1587 — 38-11  
 EX-1700PH — 38-9  
 EX-1701 — 38-9  
 EX-1800PH — 38-9  
 EX-4660-A — 38-13  
 EX-4660-AFT — 38-13  
 EX-6566FT — 38-5  
 EX-6569 — 38-12  
 EX-H5265 — 38-11  
 EX-H5265FT — 38-12  
 GCS-A — 38-8  
 H-556 — 38-16  
 H-5265 — 38-11  
 H-6116B — 38-16  
 H300532P — 38-4  
 H310532P — 38-4  
 IN-20 — 38-11  
 MH-30 — 38-4  
 MHA-100 — 38-3  
 MIC-2 — 38-14  
 MIC-2WB — 38-14  
 MIC-3 — 38-15  
 MIC3-PCR — 38-15  
 MIC-4 — 38-15  
 MIC-5 — 38-15  
 MIC-OTR — 38-15  
 MIC-ROLLER — 38-16  
 MW-60 — 38-2  
 MW-60-4WAY — 38-2  
 MW-STAND — 38-2  
 N-1199 — 38-11  
 QUBE4 — 38-2  
 RHA233 — 38-5  
 RI-250-20 — 38-2  
 S-917 — 38-9  
 S-921 — 38-3  
 S-927 — 38-6

Part # — Page

S-928 — 38-10  
 S-929 — 38-7  
 S-976 — 38-6  
 S-986 — 38-7  
 SG-1 — 38-7  
 SG-2 — 38-7  
 SG-3 — 38-7  
 T101 — 38-14  
 T101A — 38-14  
 T108 — 38-15  
 TPG4J05 — 38-6  
 VH660 — 38-10  
 VH661 — 38-3  
 VH662 — 38-5  
 VH663 — 38-9  
 VH664 — 38-6  
 VH665 — 38-6  
 VH668 — 38-7  
 VH668-R180 — 38-7  
 VH669 — 38-7  
 VH690 — 38-10  
 VH691 — 38-10  
 VH692 — 38-10  
 VH695 — 38-11  
 VH696 — 38-12  
 VH696RK — 38-13  
 VH698 — 38-13  
 VH698L — 38-13  
 VH698RK — 38-13  
 VH3216 — 38-14  
 VHJ6100 — 38-13  
 VHJ6110 — 38-9  
 VHJ6111 — 38-9  
 VHP664 — 38-6  
 VHP665 — 38-6  
 VHP668 — 38-7  
 VHP668M — 38-7  
 VHP669 — 38-7  
 VHP698 — 38-13  
 VHP698L — 38-13  
 VHP698RK — 38-13



**A****Air Chucks**

- Ball Foot Chucks: 38-10
- Check Chucks: 38-11, 38-12
- Dual Foot Chucks: 38-12, 38-13
- Euro Chucks: 38-11
- Large Bore Chucks: 38-13
- Right Angle Chucks: 38-13
- Single Foot Chucks: 38-12
- Specialty
  - High Pressure Connectors: 38-16
- Tube Deflators: 38-14

**C****Cages**

- Safety Cage Accessories: 38-16
- Safety Cages: 38-14, 38-15

**G****Gauges**

- AG and OTR Gauges
  - Air Liquid Gauges: 38-10
  - Dial Face Gauges: 38-9
  - Inflating Gauges: 38-8
  - Pencil Gauges: 38-9
  - Swivel Gauges: 38-9
- Passenger Gauges
  - Digital Gauges: 38-3
  - Inflating Gauges: 38-3
  - Pencil Gauges: 38-3
- Specialty
  - Aircraft Gauges: 38-16
- Truck Gauges
  - Digital Truck Gauges: 38-5
  - Dual Foot Gauges: 38-6, 38-7
  - Gauge Checking Stations: 38-8
  - Inflating Gauges: 38-4, 38-5
  - Inflating Gauges — Parts & Accessories: 38-5
  - Master Gauges: 38-8
  - Pencil Gauges: 38-5

**I****Inflation Systems**

- Automatic Tire Inflation System: 38-2
- Automatic Tire Inflation System Accessories: 38-2











# DID YOU KNOW PREMA CARRIES A FULL LINE OF TIRE REPAIR EQUIPMENT AND SUPPLIES AND IS IN YOUR AREA?

An extensive line of brand name products, all competitively priced.

## *Tire Repair Materials & Chemicals*

Radial Repairs  
Bias Repairs  
Agriculture Repairs  
OTR Repairs  
Tube Stems  
Universal Repairs  
Combi Patch/Plugs  
Pre-Buff Cleaners  
Vulcanizing Cements  
Over-Buff Sealers  
Bead Sealers

## *Lifting Tools*

Bottle Jacks  
Hydraulic Rams  
Lift Pads  
Floor Jacks  
Jack Stands  
Forklift Jacks  
Garage Jacks  
Bladder Jacks

## *Service Chemicals*

Mounting Compound  
Murphy's Liquid Lubricants  
Brake Cleaner  
Penetrants  
Universal Paste  
SKID  
Silicone Sprays  
Tire Sealant  
Tire Paint  
Tire Shine  
Winter Lubricants

## *Shop Supplies & Equipment*

Hand Cleaner  
Tire Bags  
Dunk Tanks  
Work Gloves  
Nitrile Gloves  
Seat Gloves  
Seat Covers  
Tire Carts  
Floor Mats

## *Tire Repair Tools*

Brushes  
Adaptors  
Reamers  
Probe Tools  
Scrapers  
Carbide Cutters  
Insert Tools  
Buffing Stones  
Tire Spreaders

## *Wheel Weights & Balancing Beads*

Passenger Weights  
Truck Weights  
3M Balancing System  
Coloured Weights  
Zinc Weights  
Steel Weights  
Magnum Balancing Beads  
Counteract Balancing Beads

## *Wheel Balancing Tools*

Adhesive Wheel Weight Remover  
Wheel Weight Hammers  
Haweka Flange Plates  
Duo Collets  
Haweka Quick Plates  
Haweka Quick Nuts  
Replacement Shafts  
Cones

## *Air Tools & Accessories*

IR Impact Wrenches  
IR Replacement Parts  
CP Impact Wrenches  
CP Replacement Parts  
Tool Covers  
Sockets  
Ratchets  
3M Abrasives  
Grinders  
Buffers  
Needle Scalers

## *Valves*

Passenger  
Truck  
OTR  
Air Liquid  
Super Large Bore  
Straight or Bent Caps & Cores  
Brass or Nickel Alcoa Valves  
Enki Valves  
4-Way Tools  
Fishing Tools  
Double Seal Caps  
Installation Tools  
Grommets  
O-Rings

## *Wheel Service Tools & Equipment*

Bead Breakers  
Torque Wrenches  
Bead Blasters and Bazookas  
Hydraulic Pumps  
Fasteners (Nuts, Studs & Clamps)  
Tire Irons & Bead Hammers  
Calcium Pumps  
Wheel Guards  
Mount/Demount Tools  
Hydraulic Rams

## *Gauges & Air Controls*

Pencil Gauges  
Master Gauges  
Truck Gauges  
Inflation Gauges  
Calibratable Gauges  
Digital Gauges  
Al Liquid  
Chucks  
Nipples  
Couplers  
Bushings  
Crimpers  
Hoses  
Ferrules  
Manifolds  
Whip Hoses

## *TPMS*

EZ-Sensor  
Redi-Sensor  
OE Replacement  
Sensors  
Replacement Valves  
Scan Tools (w/OBD)  
Service Kits  
Torque Wrenches  
T-10 & T-20 Screw  
Drivers  
Core Tools

## *Retread*

Envelopes  
Rasps  
Grinding Stones  
Carbide Cutters  
Hub Lube  
Mold Release  
Rope Rubber  
Sprayers  
Blades  
Cement  
Cushion Rubber  
Poly Film  
Wicking Pads  
Staples

## *Section Repair*

Vulcanizers  
Cushion Rubber  
Cup Cutters  
Carbide Cutters  
Tire Stands  
HD Skivers  
Hand Tools  
Flex Shaft Buffers  
Rope Rubber  
Rasps  
Grinding Stones

## *Miscellaneous*

Tire Studs  
Stud Guns  
Jaw Covers  
Duckheads  
Plastic Inserts  
Brake Lathe Bits  
O-Rings  
Arctic O-Rings

**Your Authorized Distributor**

## **Prema Canada**

3230 Mainway - Unit 3, Burlington, ON L7M 1A5  
Toll Free: 1.800.268.6311  
Phone: 905.628.2303  
Fax: 905.628.3646  
Inquires: [sales@premacanada.ca](mailto:sales@premacanada.ca)  
[www.premacanada.ca](http://www.premacanada.ca)

Distributor contact information also available at [www.premacanada.ca](http://www.premacanada.ca)